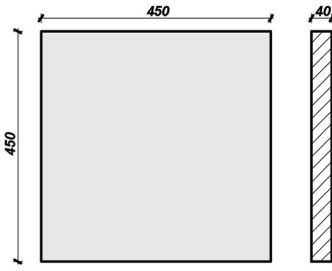
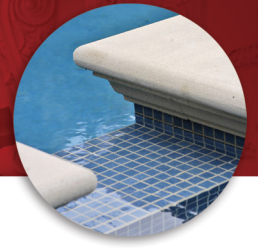
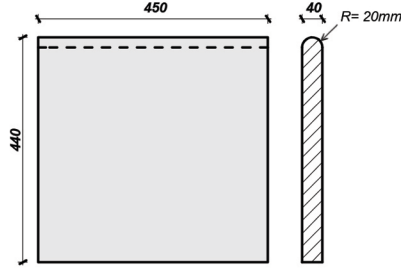


POOL CAPPINGS AND STEPS

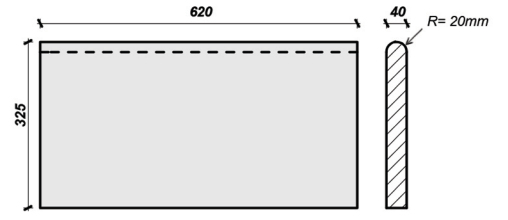
TECHNICAL DATA SHEET



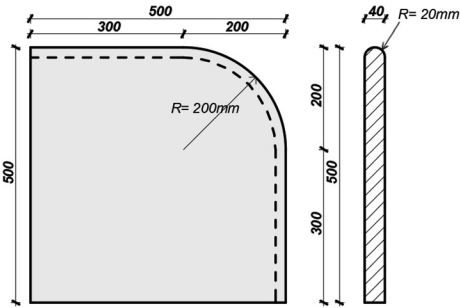
paving 450x450x40mm



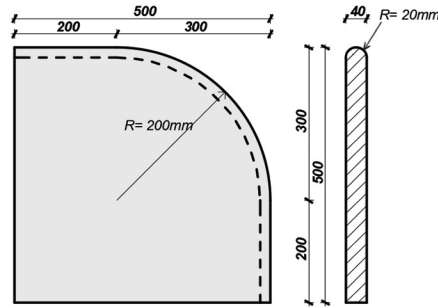
bullnose 450x440x40mm



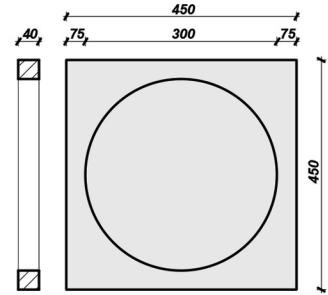
bullnose 620x325x40mm



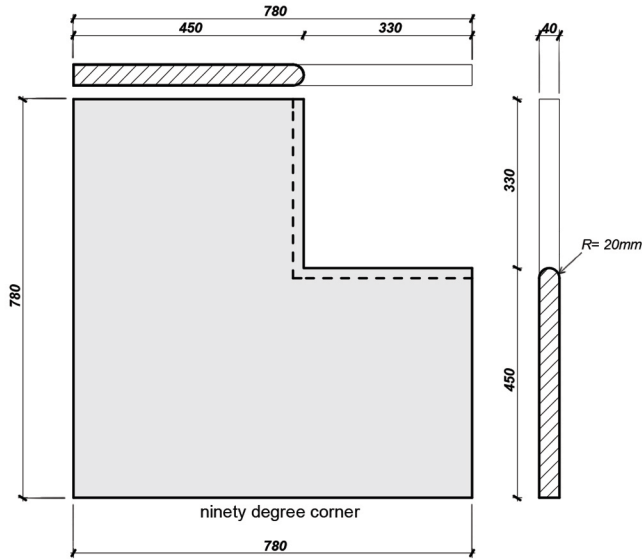
200mm radius shoulder



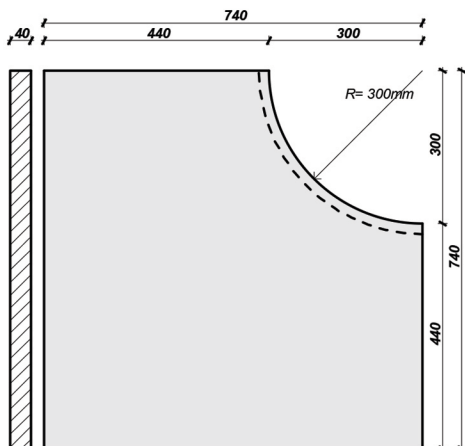
300mm radius shoulder



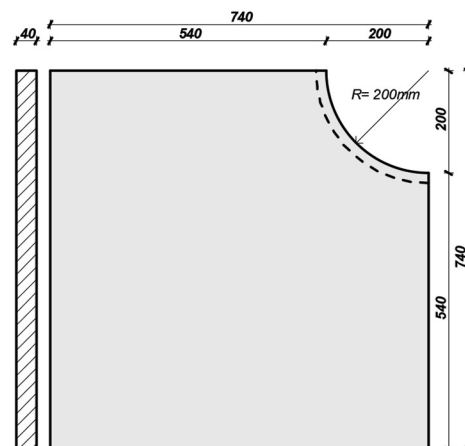
skimmer box cover 450x450x40mm



ninety degree corner



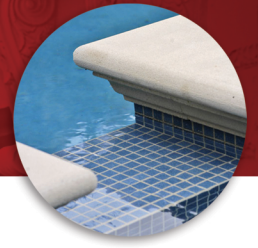
300mm corner



200mm corner

POOL CAPPINGS AND STEPS

CONCISE LAYING NOTES



BEFORE WORK COMMENCES PLEASE NOTE THESE KEY POINTS:

If you have any queries regarding paving on delivery please ring our customer support number 1300 663 118. Please do not lay paving where queries remain unresolved. Consideration must always be given to establish good/efficient falls and practical drainage to prevent ponding. Do not use hydrochloric acid to clean pavers. We recommend that our pavers be laid with 3 to 5 mm open joints, pavers should not touch adjacent units. If mortar pointing is preferred please ask for our "Pointing Notes" sheet and follow our instructions with care. In particular clean the joints after pointing with clean fresh water and a clean sponge. Please note that our pavers should not be laid using a brick paver specification. Contractors with a brick paving background should read and comply with our laying instructions. Our specification states dimensional tolerances of plus/minus 3 mm on thickness, plus/minus 1mm on plan.

INSTALLATION OF 450x450x40 PAVING OVER A CONCRETE SLAB

First, prepare a small quantity of bonding slurry. This is applied at the interface of the concrete base and the bedding mortar, and at the interface of the bedding mortar and the paving to assist. The bonding slurry should consist of 1 part fine washed sand by volume, 6 parts Portland Type GP Cement by volume plus clean fresh water. Then, the paving should be fully bedded (no voids under pavers) into a wet mortar mix of a minimum thickness of 15mm and a maximum thickness of 25mm. The pavers/bullnose should be fully supported by the mortar bed with no air voids. The best sand to use for the mortar bed is an equal blend of washed fine beach sand and bricklayers white loam clay content washed sand. Please make absolutely sure that all sand is salt free. Mortar bed proportions should be 1 part cement, to 3 parts blended sand to 1 part clean water with proprietary plasticisers added. A richer mix will cause stress to the stone resulting in curing fissures. Please do not ever use fine dry sand as a bedding mix over a concrete slab.

INSTALLATION OF 450x450 PAVING OVER COMPACTED COARSE ROADBASE

The bed when this method is employed is 50 mm of washed coarse river sand, laid dry, and well compacted and screeded over a 75 mm underlayer of very coarse roadbase. Do not use fine sand because it may inhibit drainage. Before the pavers are laid, break the compacted surface with a rake so that there is around 20 mm of loose bedding sand for the pavers to settle into. Please note that laying the pavers on a sand bed will mean that you will need a properly bedded edge restraint so that the loose bedded pavers do not move over time.

MELGRAND PAVING AND BULLNOSE, EASY TO KEEP CLEAN

The standard trade clean after all installations of paving is a washdown of the new paved area with a (5:1) mix of Cyndan Concrete Wash and water. Follow this by washing with clean water to remove any residue. For spot cleaning after installation, use a hand mister filled with this same mix. (Cyndan Ph. 1800 812 309) Spray this onto wet slabs, misting the smears or spots and then gently abrading the surface of the pavers with a stiff brush. Regular maintenance cleaning of paving is best completed using swimming pool chlorine or strong household bleach in a (1:1) mix, apply this with a watering can then scrub lightly to spread it over the surface of the paving. Repeat this treatment until the algae has been killed and the residue will be quite easy to remove by the use of high pressure water blasting. Any deeply impacted dirt should be easily removed with a combination of neutral detergent or sugar soap and a high pressure setting on a domestic hose.